

J0520 Double Balanced Mixer

0.5 to 2.0 GHz

Technical Characteristics



Product Features
Multi-octave bandwidth
Broad frequency - input and output
Wide DC to IF frequency response
Low conversion loss
High port-to-port isolation

Maximum Ratings	
Storage Temperature	-65 to +150°C
Operating Temperature Peak	-54 to +100°C
Peak Input Power For Any Single Port	+23dBm Peak
Peak Input Power For Any Port	+26dBm peak
Peak Input Current @ +25° C	100mA

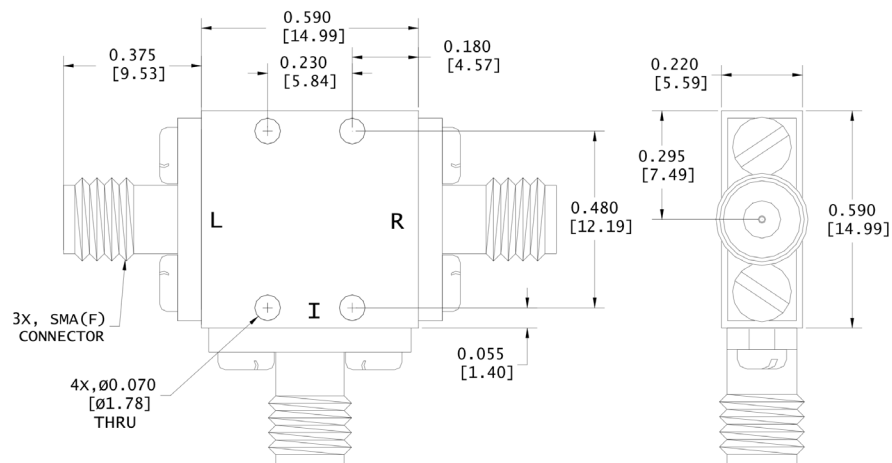
Parameters	Freq. (GHz)	Minimum	Typical	Maximum	Units	Conditions
Conversion Loss						
RF Input	0.5 to 2.0		6.5	8.5	dB	IF = 100 MHz
LO Input	0.5 to 2.0		8.5	9.5	dB	IF = 500 MHz
IF Output	DC to 0.5					
Conversion Flatness						
Isolation						
LO-RF	0.5 to 2.0	32.0	40.0		dB	
LO-IF	0.5 to 2.0	20.0	24.0		dB	
RF-IF						
VSWR						
1dB Comp.Point						
J0520L			1.0		dBm	
J0520M			4.0		dBm	
J0520H			10.0		dBm	
J0520N			7.0		dBm	
LO Drive						
J0520L		10.0	13.0		dBm	
J0520M		10.0	13.0		dBm	
J0520H		10.0	13.0		dBm	
J0520N					dBm	
Input TOIP						
J0520L			11.0		dBm	
J0520M			14.0		dBm	
J0520H			19.0		dBm	
J0520N			14.0		dBm	

NOTES:

1. Measured in a 50 ohm system with nominal LO drive and downconverter application only, unless otherwise specified. The I-port frequency range extends to DC for phase detection, pulse modulation, or attenuator applications. I-port VSWR degrades from a 50 Ω system at LO-IF frequencies.

2. Typical values are measured at +25°C and are not guaranteed.

Package outline Z



1

DISCLAIMER: Subject to change without notice.

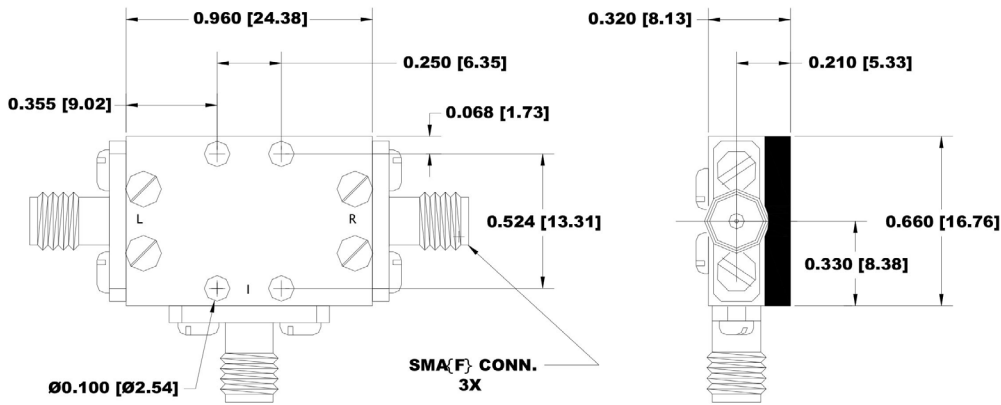


J0520 Double Balanced Mixer

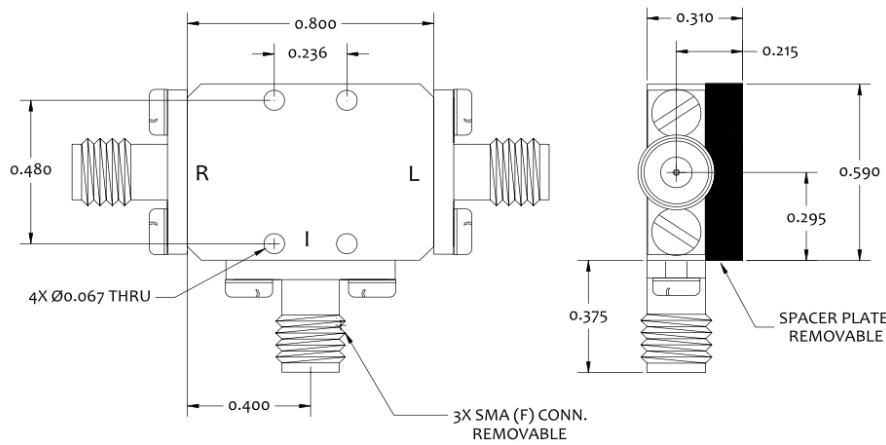
0.5 to 2.0

Outline Drawings 1 of 2

Coaxial Package outline 'B'



Coaxial Package outline 'L'



Coaxial Package outline 'C'

